

511

Articulating Leveler GelenkfüÙ



12000 N

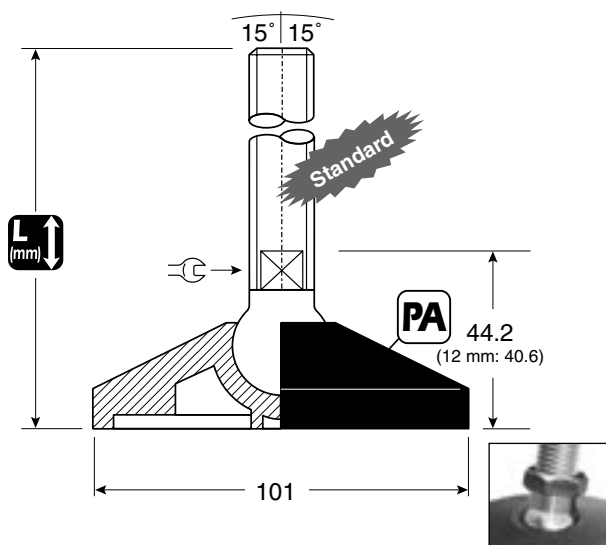


VG-511-F01-

VG-511-F04-

VG-511-FD1-

VG-511-FU1-



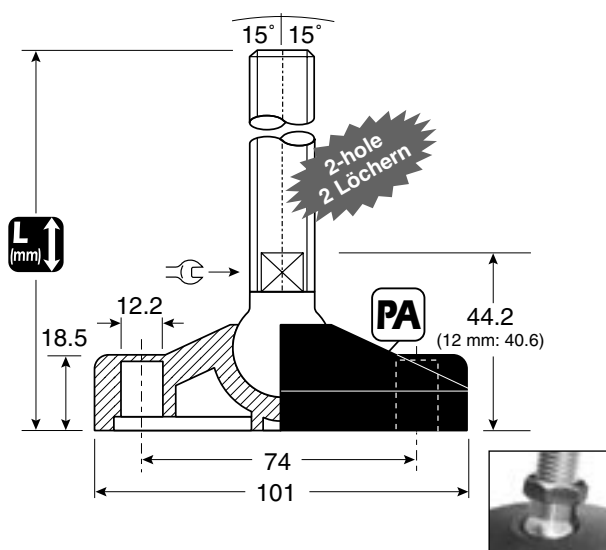
Stem Material
Spindelmaterial



M12	114	VG-511-F01-SM12-L114	VG-511-F01-PM12-L114	10
M12	157	VG-511-F01-SM12-L157	VG-511-F01-PM12-L157	10
M16	114	VG-511-F01-SM16-L114	VG-511-F01-PM16-L114	10
M16	157	VG-511-F01-SM16-L157	VG-511-F01-PM16-L157	10
M16	195	VG-511-F01-SM16-L195	VG-511-F01-PM16-L195	10
M20	157	VG-511-F01-SM20-L157	VG-511-F01-PM20-L157	10
M20	195	VG-511-F01-SM20-L195	VG-511-F01-PM20-L195	10

M20	119	VG-511-H01-SM20-L119	VG-511-H01-PM20-L119	10
M24	119	VG-511-H01-SM24-L119	VG-511-H01-PM24-L119	10
M24	185	VG-511-H01-SM24-L185	VG-511-H01-PM24-L185	10

M16	112	PA VG-511-F01-NM16-L112		10
-----	-----	--------------------------------	--	----

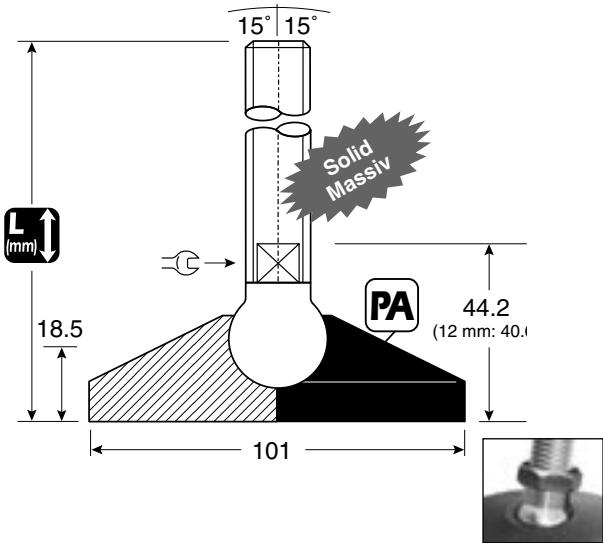


2-hole version Version mit 2 Löchern

M12	114	VG-511-F04-SM12-L114	VG-511-F04-PM12-L114	10
M12	157	VG-511-F04-SM12-L157	VG-511-F04-PM12-L157	10
M16	114	VG-511-F04-SM16-L114	VG-511-F04-PM16-L114	10
M16	157	VG-511-F04-SM16-L157	VG-511-F04-PM16-L157	10
M16	195	VG-511-F04-SM16-L195	VG-511-F04-PM16-L195	10
M20	157	VG-511-F04-SM20-L157	VG-511-F04-PM20-L157	10
M20	195	VG-511-F04-SM20-L195	VG-511-F04-PM20-L195	10

M20	119	VG-511-H04-SM20-L119	VG-511-H04-PM20-L119	10
M24	119	VG-511-H04-SM24-L119	VG-511-H04-PM24-L119	10
M24	185	VG-511-H04-SM24-L185	VG-511-H04-PM24-L185	10

M16	112	PA VG-511-F04-NM16-L112		10
-----	-----	--------------------------------	--	----



Stem Material
Spindelmaterial

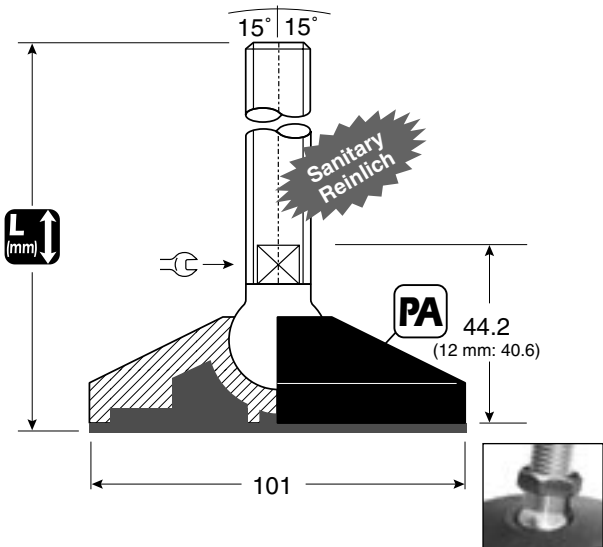


Solid version
Ausführung mit Fußplatte aus Vollmaterial

M12	114	VG-511-FD1-SM12-L114	VG-511-FD1-PM12-L114	10
M12	157	VG-511-FD1-SM12-L157	VG-511-FD1-PM12-L157	10
M16	114	VG-511-FD1-SM16-L114	VG-511-FD1-PM16-L114	10
M16	157	VG-511-F D1-SM16-L157	VG-511-FD1-PM16-L157	10
M16	195	VG-511-FD1-SM16-L195	VG-511-FD1-PM16-L195	10
M20	157	VG-511-FD1-SM20-L157	VG-511-FD1-PM20-L157	10
M20	195	VG-511-FD1-SM20-L195	VG-511-FD1-PM20-L195	10

M20	119	VG-511-HD1-SM20-L119	VG-511-HD1-PM20-L119	10
M24	119	VG-511-HD1-SM24-L119	VG-511-HD1-PM24-L119	10
M24	185	VG-511-HD1-SM24-L185	VG-511-HD1-PM24-L185	10

M16	112	PA	VG-511-FD1-NM16-L112	10
-----	-----	-----------	----------------------	----

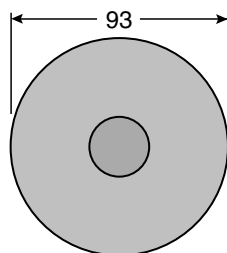
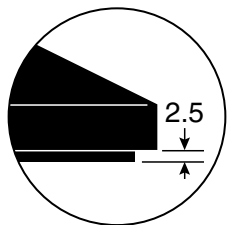


Version with urethane filled base
Ausführung mit Fußplatte gefüllt mit Uretan

M12	117	VG-511-FU1-SM12-L117		10
M12	160	VG-511-FU1-SM12-L160		10
M16	117	VG-511-FU1-SM16-L117		10
M16	160	VG-511-FU1-SM16-L160		10
M16	198	VG-511-FU1-SM16-L198		10
M20	160	VG-511-FU1-SM20-L160		10
M20	198	VG-511-FU1-SM20-L198		10

M20	122	VG-511-HU1-SM20-L122		10
M24	122	VG-511-HU1-SM24-L122		10
M24	188	VG-511-HU1-SM24-L188		10

M16	115	PA	VG-511-FU1-NM16-L115	10
-----	-----	-----------	----------------------	----



512 Anti-Slip disk
Anti-Rutsch
Platte

VG-512	10
--------	----



- Sanitary / Reinlich
- Solid / Massiv
- Anti-Slip / Anti-Rutsch